

The beauty of porcelain.  
The strength of steel.



The most complete line of  
porcelain-on-steel Bath & Kitchen fixtures.

**The Bootz Collection.**





**Bootz has it!**  
*The most complete line of Porcelain-on-Steel, and the most value.*

Bootz brings together the most complete line of enameled steel fixtures in popular shapes and sizes for your kitchen and bath. Every Bootz fixture gives you the lustrous beauty of porcelain with the proven strength of steel. Attractive, lightweight, durable... Bootz is always your assurance of exceptional quality and value.



**BOOTZCAST**

BOOTZ INDUSTRIES™

**5' Bathtub**

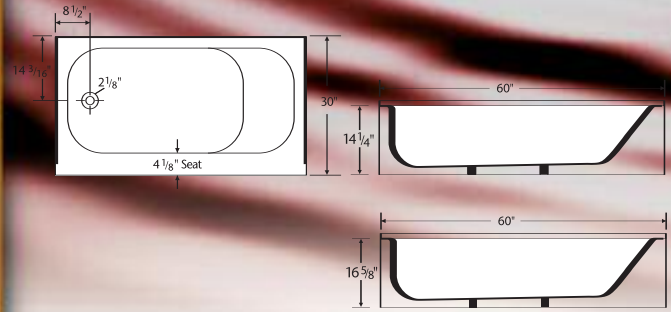
*Luxury "Comfort Back" Bathtub Featuring 40° Lumbar Support For Extra Comfort*



**OPALCAST**

**Optional Self-Rimming or Undermount Kitchen Sink**

*Deep, Full-Size Compartments Perfect For Upgrade Replacement Market*

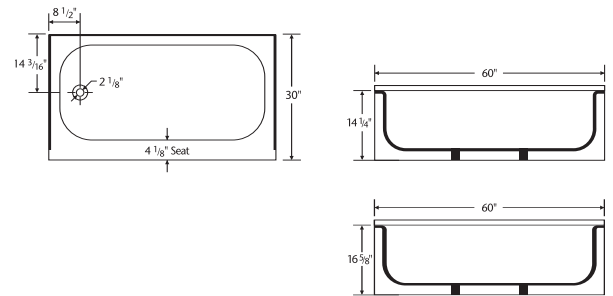


**BOOTZCAST**  
BOOTZ INDUSTRIES

**5' BATHTUB** 60" x 30" x 14 1/4"

*Standard and Raised Outlet*

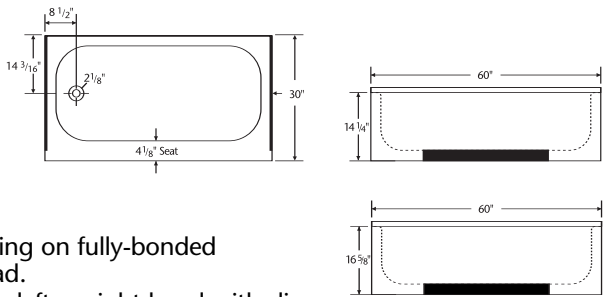
- Porcelain enameled steel encased with Bootzcast™, an engineered composite retaining water temperature longer than other bathtub materials.
- 40° lumbar support for comfortable bathing.
- Weighs only 90lbs.– easy to transport and install.
- Available in left or right hand with slip resistant bottom.
- Integral molded leveling feet make Bootzcast™ easy to install.
- “The Affordable Alternative” to cast iron.
- Raised outlet – **Bootzcast™**, 60" x 30" x 16 5/8"



**SYNIRON 2 5' BATHTUB** 60" x 30" x 14 1/4"

*Standard and Raised Outlet*

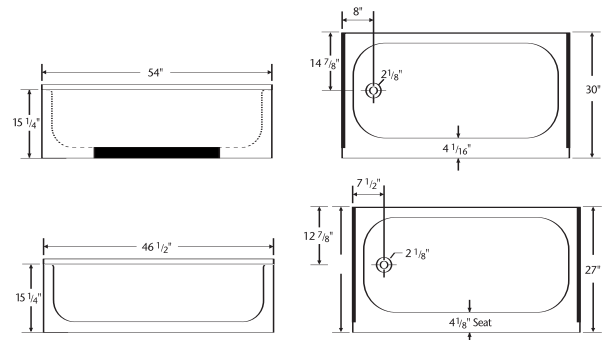
- SYNIRON 2 is a lightweight, molded material bonded to the tub.
- Designed to improve heat retention, reduce sound, handling and transportation damage.
- Integral molded leveling feet make SYNIRON 2 easy to install.
- “The Affordable Alternative” to cast iron.
- Available in left or right hand with slip resistant bottom.
- Raised outlet – **Waikiki**, 60" x 30" x 16 5/8"



**ALOHA 5' BATHTUB** 60" x 30" x 14 1/4"

*Standard and Raised Outlet*

- The industry's #1 selling bathtub.
- A full-length bath offering exceptional performance and roominess for recess tub applications.
- Free-standing on fully-bonded support pad.
- Available in left or right hand with slip resistant bottom.
- Raised outlet – **Mapleleaf**, 60" x 30" x 16 5/8"

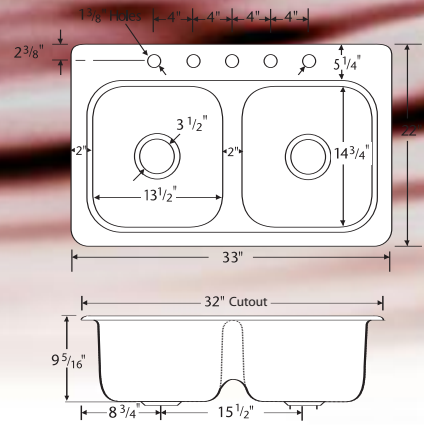


**KONA 4 1/2' BATHTUB** 54" x 30" x 15 1/4"

**HONOLULU 4' BATHTUB** 46 1/2" x 27" x 15 1/4"

*Standard Outlet*

- Both tub sizes are compact one-piece designs for space saving convenience in hotels and apartments.
- The 54" x 30" bathtub has a fully bonded support pad.
- Both are a great choice for bath and shower use where space is at a premium.
- Available in left or right hand with slip resistant bottom.



**OPALCAST DOUBLE-BOWL SINK** 33" x 22" x 9 1/2"

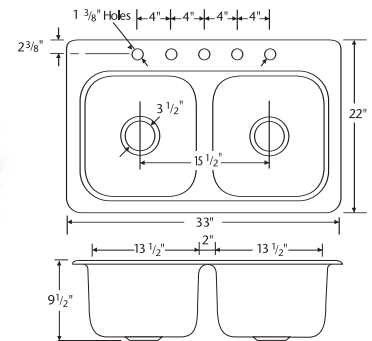
*Optional Self-Rimming or Undermount Kitchen Sink*

- 9 1/2" deep full size compartments.
- Structural integrity of cast iron.
- 1 1/2" rim radius for retro fit application.
- Perfect for upgrade replacement market.
- To be used in an undermount or self-rimming installation.

**OPAL DOUBLE-BOWL SINK** 33" x 22" x 9 1/2"

*Self-Rimming*

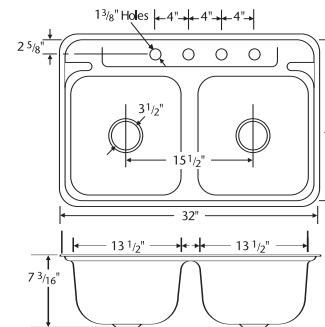
- 9 1/2" deep full size compartments.
- Structural integrity of cast iron.
- 1 1/2" rim radius for retro fit application.
- Perfect for upgrade replacement market.



**GARNET DOUBLE-BOWL SINK** 32" x 21" x 7 3/16"

*Flat Rim*

- The extra space combined with classic styling makes kitchen chores a breeze.
- Mounting rim not included.



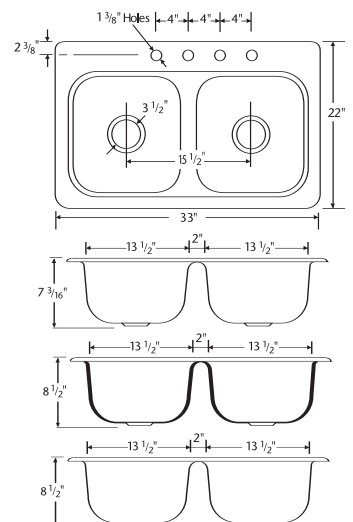
**GARNET II DOUBLE-BOWL SINK** 33" x 22" x 7 3/16"

**GARNET III SYNIRON DOUBLE-BOWL SINK** 33" x 22" x 8 1/2"

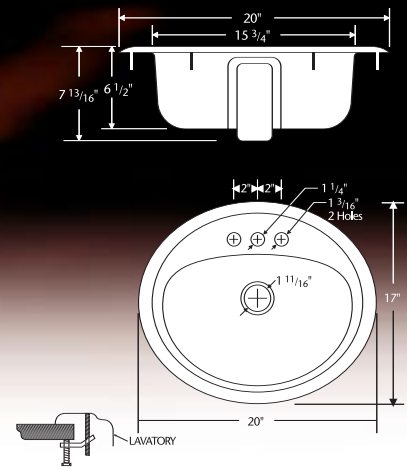
**RUBY DOUBLE-BOWL SINK** 33" x 22" x 8 1/2"

*Self-Rimming*

- Fits snugly into countertop, eliminating chrome rim cost.
- The high-tech look is a cut above standard high volume sinks.
- Choose between 7 3/16" and 8 1/2" bowl depths.



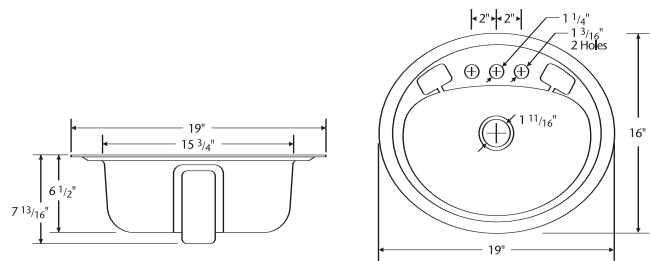
*All fixture dimensions are nominal and may vary within the range of tolerances established by ASME/ANSI standards, A112.12.4M. All measurements shown are subject to change or cancellation.*



**AZALEA OVAL LAVATORY** 20" x 17"

*Self-Rimming*

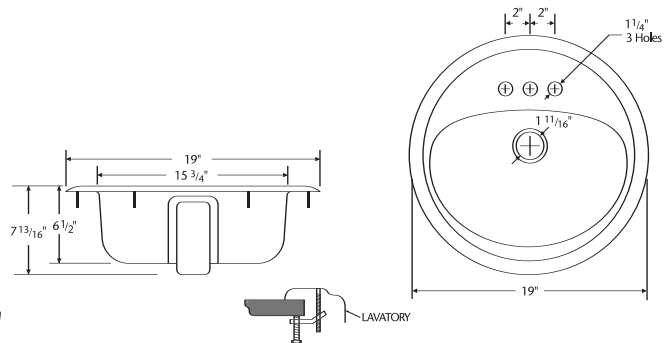
- Attractive oval styling with self-rimming convenience.
- Flat mounting surface accommodates the latest faucet designs.
- Exclusive "stud and clip" assembly with plastic overflow eliminates pop-offs, leaks and o/f rust.
- Also available with integral soap depressions.



**DAFFODIL OVAL LAVATORY** 19" x 16"

*Flat Rim*

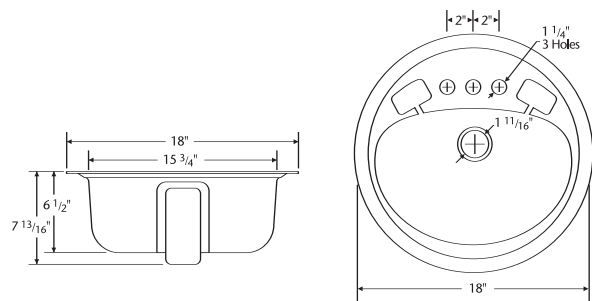
- A flat rim lavatory for use with stainless steel rim (not furnished) for smooth appearance and fit.
- Functional oval styling with two integral soap depressions.
- Thermo-fused™ overflow.



**LAUREL ROUND LAVATORY** 19" x 19"

*Self-Rimming*

- Timeless round shape that goes with any decor.
- Flat mounting surface accommodates the latest faucet designs.
- Exclusive "stud and clip" assembly with plastic overflow eliminates pop-offs, leaks and o/f rust.
- Also available with integral soap depressions.



**DAISY ROUND LAVATORY** 18" x 18"

*Flat Rim*

- The eye-pleasing round design and sculpted soap areas make this flat rim lavatory at home anywhere.
- Requires stainless steel rim, not furnished.
- Thermo-fused™ overflow.

## Bathtubs

	STANDARD OUTLET	RAISED OUTLET
<b>BOOTZCAST 5'</b>	<b>60" x 30" x 14 1/4"</b> 011-7000 RH Drain, Slip-Resistant Bottom 011-7001 LH Drain, Slip-Resistant Bottom	<b>60" x 30" x 16 5/8"</b> 011-7050 RH Drain, Slip-Resistant Bottom 011-7051 LH Drain, Slip-Resistant Bottom
<b>ALOHA 5'</b>	<b>60" x 30" x 14 1/4"</b> 011-2360 RH Drain, Slip-Resistant Bottom 011-2361 LH Drain, Slip-Resistant Bottom 011-2364 RH Drain, Slip-Resistant Bottom 011-2365 LH Drain, Slip-Resistant Bottom	<b>(Mapleleaf) 60" x 30" x 16 5/8"</b> 011-2670 RH Drain, Plain Bottom 011-2671 LH Drain, Plain Bottom 011-2672 RH Drain, Slip-Resistant Bottom 011-2673 LH Drain, Slip-Resistant Bottom
<b>SYNIRON 2 (MOLDED) 5'</b>	<b>60" x 30" x 14 1/4"</b> 011-2390 RH Drain, Slip-Resistant Bottom 011-2391 LH Drain, Slip-Resistant Bottom	<b>(SYNIRON 2) 60" x 30" x 16 5/8"</b> 011-2394 RH Drain, Slip-Resistant Bottom 011-2395 LH Drain, Slip-Resistant Bottom
<b>KONA 4 1/2'</b>	<b>54" x 30" x 15 1/4"</b> 011-2300 RH Drain, Plain Bottom 011-2301 LH Drain, Plain Bottom 011-2302 RH Drain, Slip-Resistant Bottom 011-2303 LH Drain, Slip-Resistant Bottom	
<b>HONOLULU 4'</b>	<b>46 1/2" x 27" x 15 1/4"</b> 011-2472 RH Drain, Plain Bottom 011-2473 LH Drain, Plain Bottom 011-2378 RH Drain, Slip-Resistant Bottom 011-2379 LH Drain, Slip-Resistant Bottom	

## Kitchen Sinks

<b>OPALCAST</b>	<b>Double Bowl 33" x 22" x 9 1/2"</b> 031-2906 3-Hole Punch (SYNIRON Self-Rimming or Undercounter Design, w/o Soap Depressions) 031-2907 4-Hole Punch (SYNIRON Self-Rimming or Undercounter Design, w/o Soap Depressions) 031-2908 5-Hole Punch (SYNIRON Self-Rimming or Undercounter Design, w/o Soap Depressions)
<b>OPAL*</b>	<b>Double Bowl 33" x 22" x 9 1/2"</b> 031-2901 4-Hole Punch (w/o Soap Depressions) *3 and 5 Hole Punch Available Upon Request
<b>GARNET*</b>	<b>Double Bowl 32" x 21" x 7 3/16"</b> 031-2781 4-Hole Punch (Flat Rim, w/o Soap Depressions) *3 and 5 Hole Punch Available Upon Request
<b>GARNET II*</b>	<b>Double Bowl 33" x 22" x 7 3/16"</b> 031-2958 4-Hole Punch (Self-Rimming, w/o Soap Depressions) *3 and 5 Hole Punch Available Upon Request
<b>GARNET III*</b>	<b>Double Bowl 33" x 22" x 8 1/2"</b> 031-2960 4-Hole Punch (SYNIRON Self-Rimming, w/o Soap Depressions) *3 and 5 Hole Punch Available Upon Request
<b>RUBY*</b>	<b>Double Bowl 33" x 22" x 8 1/2"</b> 031-2934 4-Hole Punch (Self-Rimming, w/o Soap Depressions) *3 and 5 Hole Punch Available Upon Request

## Lavatories

<b>AZALEA</b>	<b>Oval 20" x 17"</b> 021-2445 Centerset Punch, Self-Rimming (Studs w/o Soap Depressions) 021-2445M Centerset Punch, Self-Rimming (Studs w/o Soap Depressions, Multi-Pack, 6 Lavs per Carton) 021-2422 Centerset Punch, Self-Rimming, Vinyl Rim (Studs w/o Soap Depressions) 021-2448 Centerset Punch, Self-Rimming (Studs w/o Soap Depressions, Less Overflow) 021-2485 Centerset Punch, Self-Rimming (Studs with Soap Depressions) 021-2485M Centerset Punch, Self-Rimming (Studs with Soap Depressions, Multi-Pack, 6 Lavs per Carton) 021-2446 Centerset Punch, Self-Rimming (Brackets w/o Soap Depressions) 021-2446M Centerset Punch, Self-Rimming (Brackets w/o Soap Depressions, Multi-Pack, 6 Lavs per Carton) 021-2447 Centerset Punch, Self-Rimming (Brackets with Soap Depressions) 021-2447M Centerset Punch, Self-Rimming (Brackets with Soap Depressions, Multi-Pack, 6 Lavs per Carton)
<b>DAFFODIL</b>	<b>Oval 19" x 16"</b> 021-2440 Centerset Punch, Flat Rim
<b>LAUREL</b>	<b>Round 19" x 19"</b> 021-2435 Centerset Punch, Self-Rimming (Studs w/o Soap Depressions) 021-2435M Centerset Punch, Self-Rimming (Studs w/o Soap Depressions, Multi-Pack, 6 Lavs per Carton) 021-2480 Centerset Punch, Self-Rimming (Studs with Soap Depressions) 021-2480M Centerset Punch, Self-Rimming (Studs with Soap Depressions, Multi-Pack, 6 Lavs per Carton) 021-2436 Centerset Punch, Self-Rimming (Brackets w/o Soap Depressions) 021-2436M Centerset Punch, Self-Rimming (Brackets w/o Soap Depressions, Multi-Pack, 6 Lavs per Carton) 021-2437 Centerset Punch, Self-Rimming (Brackets with Soap Depressions) 021-2437M Centerset Punch, Self-Rimming (Brackets with Soap Depressions, Multi-Pack, 6 Lavs per Carton)
<b>DAISY</b>	<b>Round 18" x 18"</b> 021-2430 Centerset Punch, Flat Rim

*All current Bootz bathtubs and single-bowl sinks are ADA compliant when installed in accordance with present ADA guidelines.*

BOOTZ INDUSTRIES  
1400 Park Street • P.O. Box 18010 • Evansville, IN 47719-1010  
(812) 423-5401 • Fax (812) 429-2254  
<http://www.bootz.com> E-mail: [webmaster@bootz.com](mailto:webmaster@bootz.com)